

AX-S™ Composite

Frame & Cover C250

600mm x 600mm

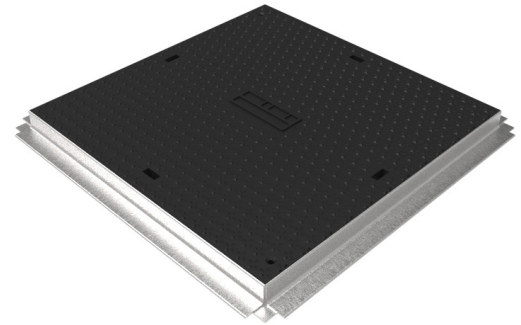


Product Description

AX-S™ Composite covers offer a lightweight cover with no reduction in loading performance. A wide range of sizes can be manufactured utilising multi-cover frames and there are options for bespoke customer badging.

Frame Details

Clear Opening:	582mm x 582mm	Including Riser:	126mm
External Dimensions:	640mm x 638mm	Weight:	13.6 kg
Including Flange:	674mm x 674mm		
Depth:	83mm		



Cover Details

Cover Type 1:	1 x 630mm x 630mm
Weight:	27.9 kg

Overall Details

Product Code:	FCCO66-06000600-CSHT*C**1
Total Weight:	41.5 kg

Cover Material Properties

Material Profile	Glass Reinforced Polyester (GRP)	Black
Tensile Strength	ISO 527-4	62 MPa
Elastic Modulus	ISO 527	11 GPa
Flexural Strength	ISO 14125	200 MPa
Flexural Modulus	ISO 14125	11 GPa
Impact Strength	ISO 179	80 kJ/m ²
Heat Distortion Temperature	EN ISO 75-2	1.81 g/cm ²
Density	ISO 1183	>200°C
Water Resistance	ISO 62	≤0.5%
Volume Resistivity	IEC 60093	1E+15 Ohm/cm
Surface Resistivity	IEC 60093	>1,00E+12 Ohm
Fire Performance	UL 94	HB
Skid Resistance	BS EN 13036-4:2011	78 PTV (DRY) 58 PTV (WET)

Installation

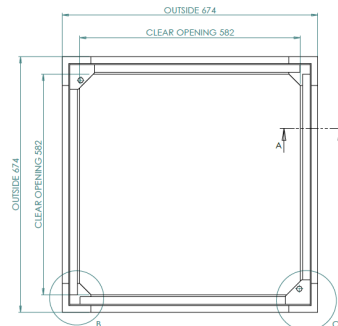
The product is designed for use in both footway and roadway installations where it provides access to underground ducting (EN124 Class A15-C250).

Key Features

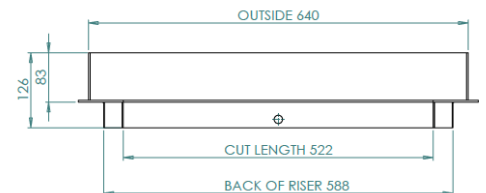
- Lightweight covers
- No inherent scrap value
- Anti-slip design



Scan for access to technical documents library



Composite cross-section top view



Composite cross-section detail

FCCO-600x600-C V.01 12/04/2019