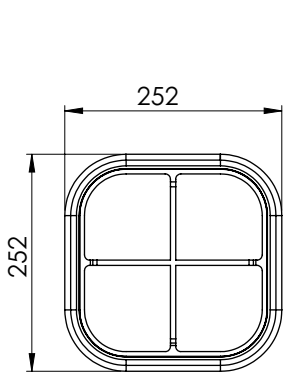


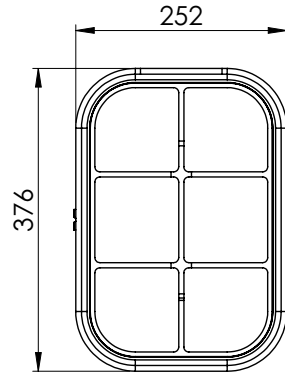


**MULTIduct™ TYPES**



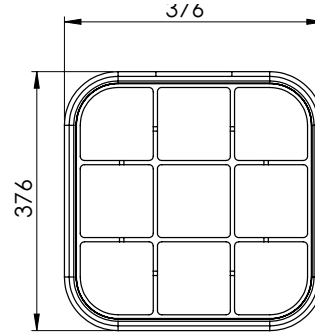
**4 way**

Length: 1120mm  
Lay length: 1070mm  
Datasheet: DAT 1401



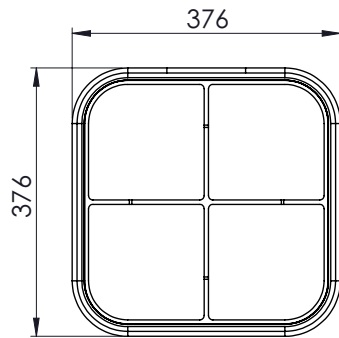
**6 way**

Length: 1120mm  
Lay length: 1070mm  
Datasheet: DAT 1402



**9 way**

Length: 1120mm  
Lay length: 1070mm  
Datasheet: DAT 1403



**4 way XL**

Length: 1120mm  
Lay length: 1070mm  
Datasheet: DAT 1404

**MATERIAL PROPERTIES**

High Density Polyethylene (HDPE)

Tensile Strength	ISO 527-4	26.2MPA
Flexural Strength	ISO 14125	26.9MPA
Flexural Modulus	ISO 14125	1.09 GPA
Impact Strength	ISO 179	28 J/mm <sup>2</sup>
Deflection Temperature Range (0.46MPA)	ISO 75-2	72.1 °C
Density (g/cm <sup>3</sup> )	ISO 1183	0.95 - 0.98 g/cm <sup>3</sup>
Water Absorption	ISO 62	0.01%
Volume Resistivity	IEC 60093	1.00E +16
Fire Performance	UL 94	HB
Limited Oxygen Index	ISO 4589-2	19%

These are indicative figures. Materials can be formulated to achieve different properties subject to specification/ customer requirements

DAT 1400	
V1.2	10/05/2012